

STANLEY

®

ICU/CCU 7000 Door Series



- 2, 3, AND 4 PANEL PACKAGES
- TELESCOPIC PACKAGES
- TRACKLESS VERSIONS
- POSITIVE LATCHING
- FULL BREAKOUT VERSIONS

DESIGNED TO MEET THE SPECIFIC NEEDS OF HOSPITAL INTENSIVE AND CARDIAC CARE UNITS (ICU/CCU).

Broad glass panels provide unobstructed view to patients.

Patients remain undisturbed by nearby activity, noise or other intrusions.

The 7000 Series combines the features of both swinging and sliding doors for easy, flexible access to the patient area.

The 7200 Series allows for a trackless threshold feature with the ability to breakout the SX panel at any point.

The 7500 Telescopic Series creates a greater clear door opening and is also available in a trackless version.

Stanley Automatic Door Systems - the safest, most cost effective solutions available today.

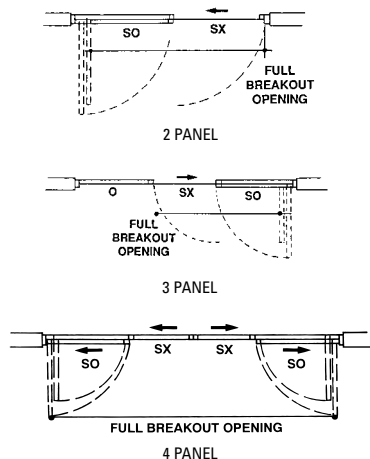
STANLEY

MAKE SOMETHING GREAT™

STANLEY®

ICU/CCU 7000 Door Series

7000 & 7000 TL (TRACKLESS) ICU SERIES

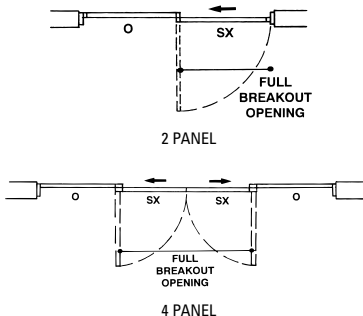


Positive latching available on most models.

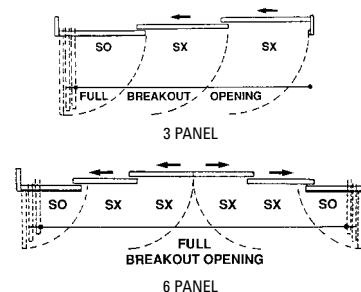
The trackless threshold feature for the 7200 Series requires O or P panel.

A TL package, unlike the track versions, require the doors to be fully opened and a flush bolt disengaged prior to breakout.

7200 ICU SERIES TRACKLESS



7500 & 7500TL (TRACKLESS) ICU SERIES TELESCOPING



DOOR PACKAGES ARE CUSTOM MANUFACTURED TO FIT YOUR JOB REQUIREMENTS

HEADER SIZE: 4" (102mm) high x 4-1/2" (114mm)

TYPICAL HEIGHT: 7'-4" (2.2m), clear door opening of 6'-10 1/2" (2.1m)

TYPICAL WIDTH: 2 Panel: 7' (2.1m) to 9' (2.7m),

clear door opening width of 35-1/2" (901mm) to 47-1/2" (1206mm)

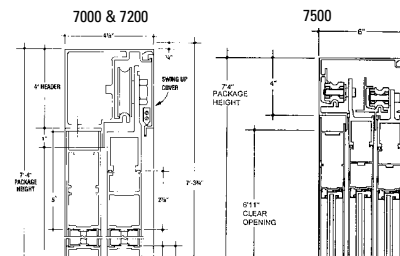
3 Panel: 10-1/2' (3.2m) to 13-1/2' (4.1m),

clear door opening width of 35-1/2" (901mm) to 47-1/2" (1206mm)

4 Panel: 10' (3m) to 14' (4.2m),

clear door opening width of 48" (1219mm) to 72" (1828mm)

HEADER PROFILES



FEATURES & BENEFITS

7000 SERIES DOORS:

- Provide maximum patient-area visibility even when doors are closed.
- Allow flexible access to patient area through single-panel opening or by stacking all panels to one side.
- Guard patients from unwanted noise or other intrusions
- Features a track or trackless-threshold, consult with Stanley Representative.

7200 SERIES DOORS:

- Advantages of 7000 Series without need for threshold.

7500 ICU SERIES DOORS:

- Telescopic version.
- Largest clear opening width.

7500 ICU FBO:

- Full Breakout Opening.



axis
STANLEY®

Axis Automatic Entrance Systems Ltd, Unit 6, Queens Park Industrial Estate, Studland Road, Northampton, NN2 6NA.

Tel 0844 504 6525 Fax 0844 504 6526

Service 0844 504 6535 Fax 0844 504 6536

Sales 0844 504 6545 Fax 0844 504 6546

Email: sales@axisautomatic.com www.axisautomatic.com