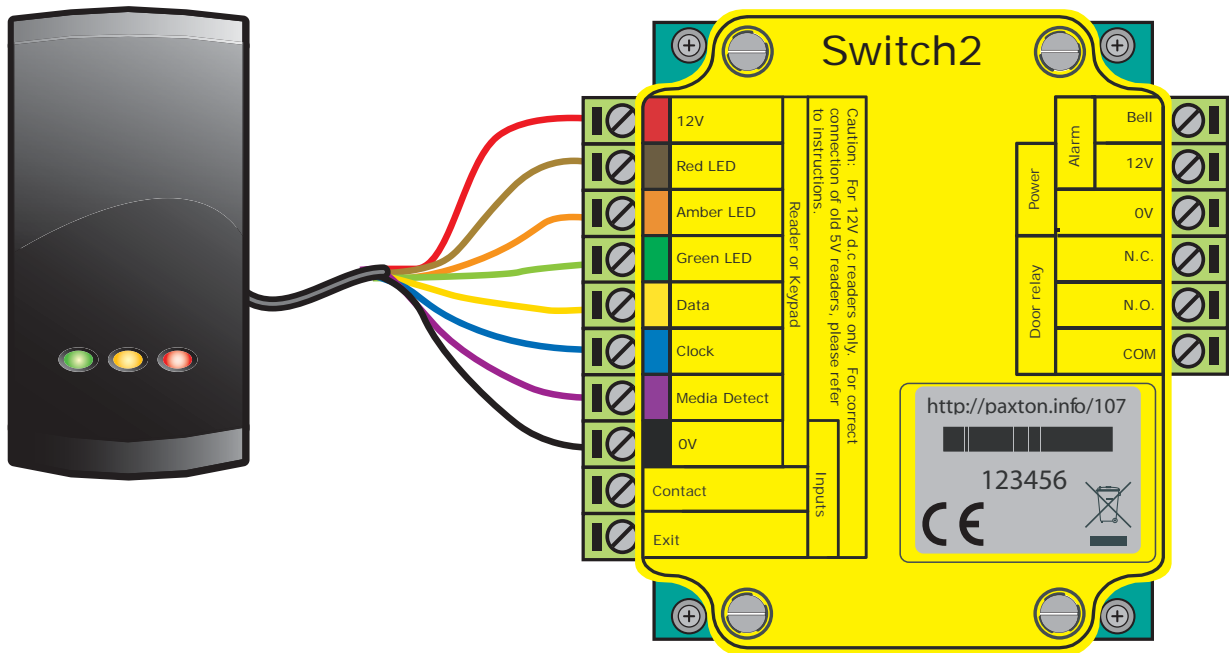


Switch2



A standalone access control unit



What is it?

Switch2 is a standalone, one door access control unit from Paxton. A Switch2 control unit is fitted on the secure side of the door, with the reader fitted on the other side. The Switch2 control unit stores all of the access permissions for users' within the unit; meaning that even if the reader is tampered with, the door remains secure.

Switch2 offers a secure solution for customers wishing to control access to internal and external doors, who do not need the reports on users movements provided by a PC based access control system.

Installing Switch2 is extremely simple and quick; colour to colour wiring and great functionality makes Switch2 ideal

for installers who want to fit a standalone system with added security.

Customers need minimal training to manage their Switch2 system. All user tokens in the pack are immediately valid once the system has been enrolled. Lost or missing tokens can be simply barred at the door using our unique shadow card system. You can even set up simple zoning restrictions to control user access to certain areas around a site.

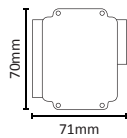
Switch2 is compatible with a wide range of stylish and functional Paxton readers and keypads, and reads both cards and keyfobs. It can also be fitted with a Hands free interface for convenient access with hands free tokens.

Specifications

Features	
Total users	10,000
Doors per Access Control Unit (ACU)	1
Number of tokens	10,000
Number of codes	50
Code length	4 - 8
Number of time zones	2
Number of access levels	3
Hands free compatible	Yes - requires interface
Door open time	Min 1 sec - Max 60 sec
Reader ports per ACU	1
Readers/Keypads per ACU	2 - check current draw on individual readers
Total ACU reader port output current	500 mA
Documentation	
More information	http://paxton.info/1285
Installation instructions	http://paxton.info/490
Specifications	http://paxton.info/916

Hardware	
Supply voltage	Min 11V DC - Max 14V DC
Supply current	80 mA
Relay switchable voltage	24V DC
Relay switchable current	4 A
Alarm output current	1 A
Operating temperature - battery limits	Min -20°C - Max +55°C
Waterproof	No - If used externally, it must be protected in a weatherproof housing
Other hardware features	
Silent operation	
Input for exit button	
Input for door contact	
Alarm/bell output	
Can be used with fail OPEN release	
Can be used with fail CLOSED release	

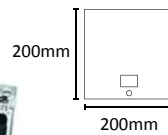
Switch2 control unit



Sales code 405-321
 More information <http://paxton.info/1285>



Switch2 ACU and 1A PSU in plastic housing



Sales code 242-166
 More information <http://paxton.info/242-166>



INVESTOR IN PEOPLE



axis

Axis Automatic Entrance Systems Ltd, Unit 6, Queens Park Industrial Estate, Studland Road, Northampton, NN2 6NA.

Tel 0844 504 6525 Fax 0844 504 6526
 Service 0844 504 6535 Fax 0844 504 6536
 Sales 0844 504 6545 Fax 0844 504 6546

Email: sales@axisautomatic.com www.axisautomatic.com